



C

E

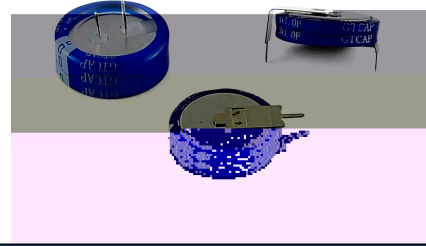
G E-5 5-155 C/H/

G C „L .



❖ F

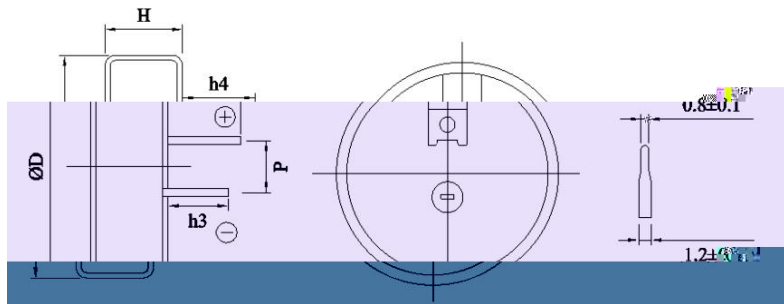
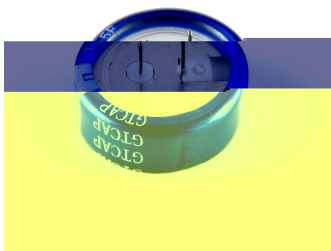
❖ A



❖ G C

I	C

❖ D



C

:

I	C	I	C

:

	()	D	(L H)	

C

E

G E-5 5-155 C/H/



H

C	I	C

()	D	(L H)	



C	I	C
---	---	---

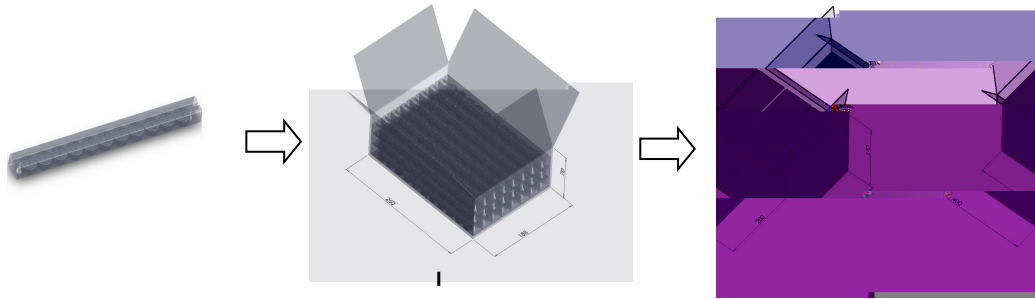


C

E

G E-5 5-155 C/H/

❖



❖ H

G E-5 5-155 C/H/ 1000

❖ H

G

1

2 A

G