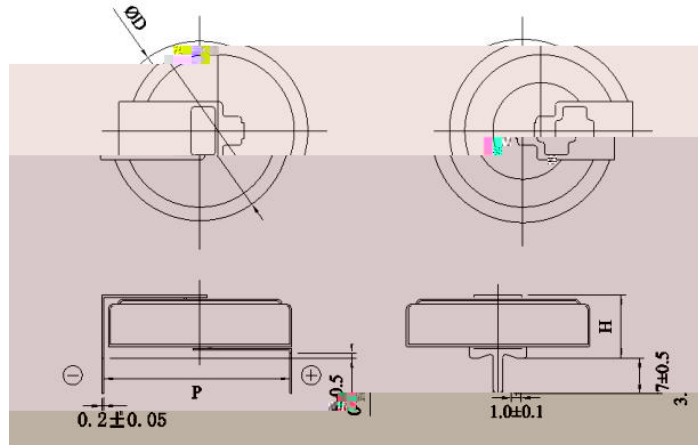




C

E

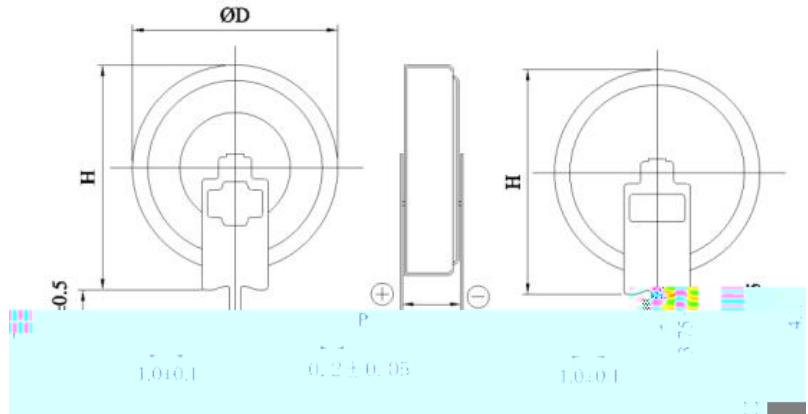
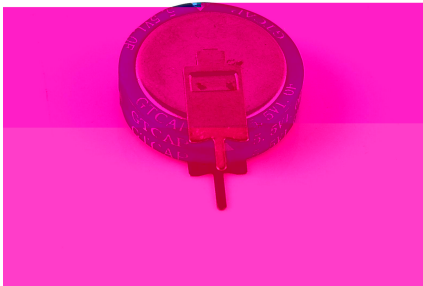
G E-5 5-105 C/H/



: H

I	C	I	C

	()		D	(L H)	



::

I	C	I	C

	()		D	(L H)	

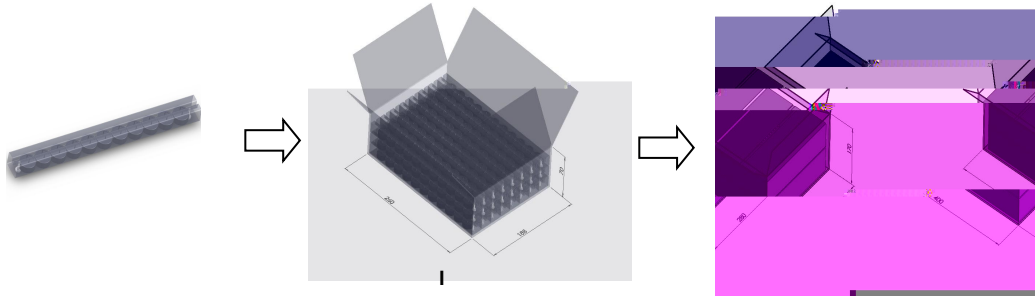


C

E

G E-5 5-105 C/H/

❖



❖ H

G E-5 5-105 C/H/ 1000

❖ H

G

1

2 A

G